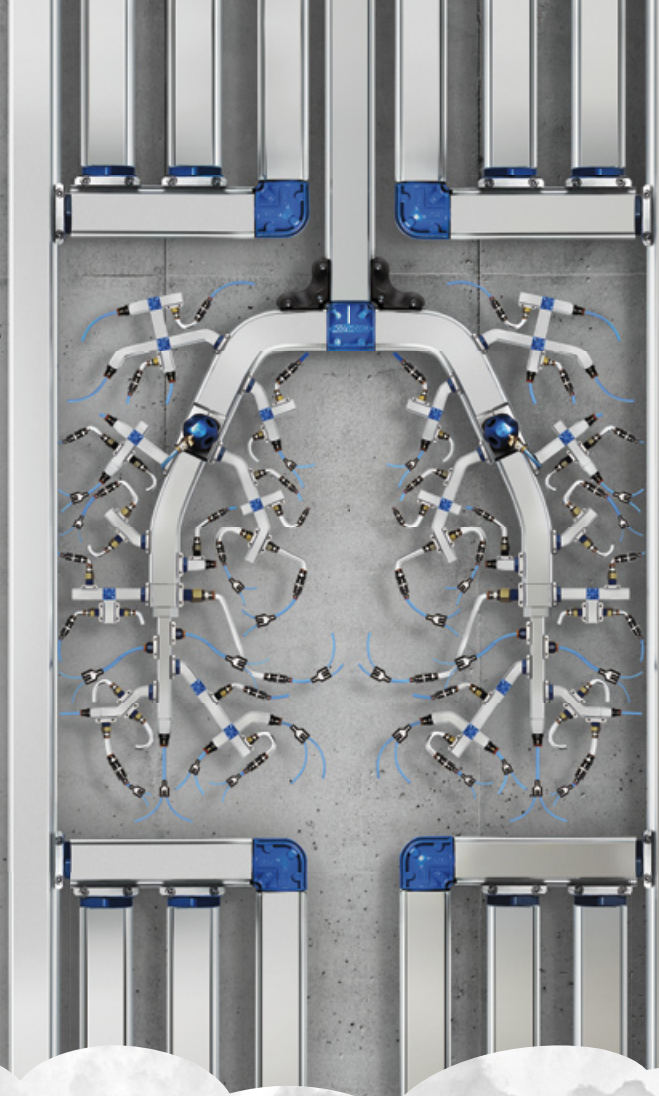


A new breath.



TESEO[®]
Aluminium Pipework

Since 1988

NEW RANGE

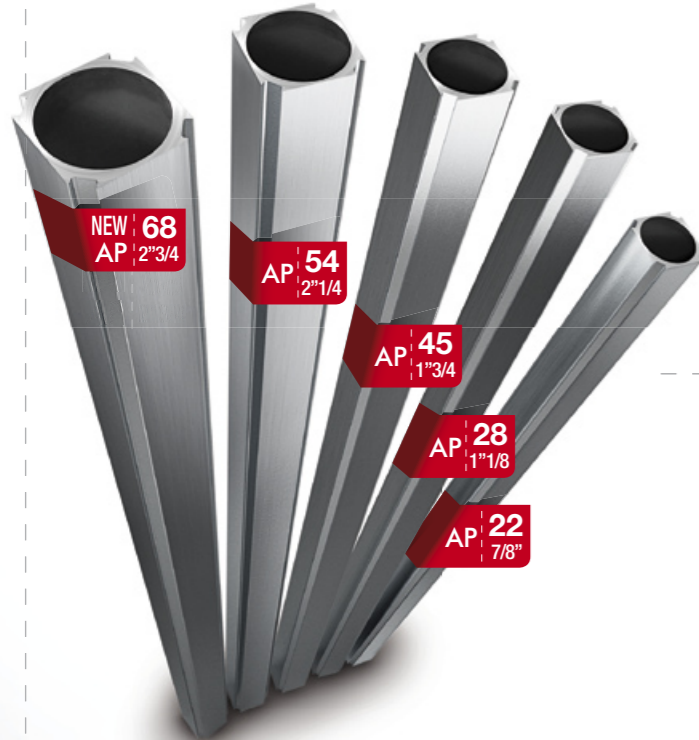
Extruded profiled pipe.



Renovated for improved performance.



With the new diameter AP68 the renovated AP range developed by Teseo is complete. An aluminium modular system in extruded profiles with innovative features and high performance. With the new size equivalent to 2" 3/4, the AP system is now able to handle compressor power up to and above 140 kW. This new AP profile is 20% lighter than the equivalent profile of HBS range, but more robust thanks to the thicker wall of the tubing.



MODULAR SYSTEM

MODIFICATIONS UNDER PRESSURE

Thanks to the unique design and the wide range of accessories, AP allows for quick installation and modifications of the system, even if the job is completed. Installation is performed simply with basic tools and safe operations, without welding, threading or painting anything. All 4 flat faces of the extruded profile are usable for the application of outlet plates or hangers. Our new generation of joints and connectors benefits from a dramatic reduction of the number of tightening screws. Several parts are interchangeable for making easier upgrading and evolution of the modular system. New diameter AP68 is available pre-bended with 45° and 90° or special angles on demand. A new series of hangers provide quick and practical mounting. With the hot tapping tool DT it is possible to create new points of use, drilling the pipework live in totally safe conditions.

Adopting the conventional denomination referred to the outer diameter helps customers to make their choice, for an easy and intuitive comparison of TESEO with other aluminium systems or with traditional piping.

TESEO	Closer equivalent diameter
AP 22	7/8"
AP 28	1" 1/8
AP 45	1" 3/4
AP 54	2" 1/4
AP 68	2" 3/4

And as a complement for bigger installations

TESEO	Closer equivalent diameter
HBS 80	3" 1/4
HBS 110	4" 1/2



COST REDUCTION
ENERGY SAVING



PROFILED ALUMINIUM PIPE
GREEN PRODUCT

With the same nominal diameter, the AP system offers increased flow and lower pressure drop. Such a feature ensures high performance for improved energy savings. Extruded TESEO profiles are made of natural aluminium, without painting or electrochemical surface treatments. This makes the product easy to recycle. The patented clamping system permits dismantling and re-use of all the parts and components.



LOW MAINTENANCE
LOW COST OF OWNERSHIP

Teseo Aluminium profiled pipes are not affected by corrosion or oxidation, preserving air quality and as a consequence the health of your system and all the tools and devices connected to it. Maintenance is reduced in terms of time and cost to a minimum.



MEASURABLE SAVINGS
OPTIMIZED COSTS



PERFECT SEALING
ZERO LEAKS

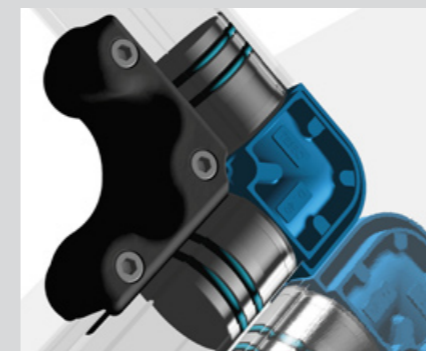
The AP range by TESEO is reducing costs to you on various levels. A "Dual O-ring" sealing system eliminates air leaks, granting an energy saving effect. Downtime and labour costs are compressed to the few minutes needed for installing an outlet plate for a new machine or a new point of use.

More than any other black or galvanized steel pipe, smooth inner surface of extruded aluminium reduces friction of air flowing inside, minimizing the pressure drop, granting more flow at constant power consumption. Besides AP profiled pipe is 70% lighter than steel: supporting will cost less and mounting will be easier and quicker.

Thanks to all these features, the cost of ownership of Teseo piping is very convenient in short time.

APPLICATIONS

Compressed air	Technical gases (non-flammable)	Cooling fluids	Lubricants (low pressure)
Vacuum	Nitrogen	Emulsions	Motor oils



Fittings with new design.



HBS 110 installation.



"Dual O-ring" for perfect sealing.

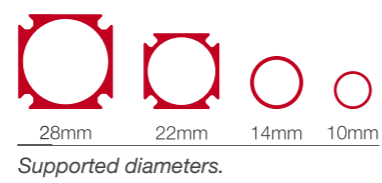
PIPE BENDER
The only manual and portable.



Anywhere you wish to bend.

We thought about a new tool that could solve quickly and economically all the bending needs in your installations. Practical, lightweight and portable, CENT80 is the new tool that allows the manual execution of all the bends up to 180°, straight on site.

CENT80 is ideal for quickly creating bends on pipework installations, anywhere you are. On site it is possible to secure it with a robust bench vice or, with a couple of clamps, vertically on a standard bench, on the floor of the truck, on the forks of the forklift, CENT80 will follow you anywhere.



WARRANTY
The longest of the sector.



A long term certainty.



Teseo is proud to offer to customers a 20 years warranty for defects due to materials of aluminium pipes and fittings of its modular systems.

“The extension of the warranty period to a timeframe that is more than twice as long as our competitors is clear evidence of the quality and reliability of our solutions - said Gianfranco Guzzoni, founder and general manager of TESEO -. As the world’s first manufacturer of modular aluminum systems, we decided to reaffirm our leadership by extending the warranty period for the replacement of defective parts from 24 months to 20 years. Furthermore, we are the only ones who can prove this, as our initial installations date back to the early Nineties”.



Gianfranco Guzzoni
Inventor of modular piping for compressed air.



Warranty covers the replacement of faulty or damaged parts.

Coverage terms of TESEO warranty.

- Use of genuine parts installed correctly.
- Use for compressed air distribution inside industrial buildings.
- Use respecting fields and limits of application, protecting the system from vibrations, hammering, shocks and corrosive environment.

For getting more information about the activation and terms of coverage of the 20 years warranty contact our branches and authorized distributors.

We are a lean and dynamic company founded in 1988, first in the world to develop a modular system in aluminium for compressed air and other technical gases distribution. After more than 20 years, our products are distributed by 6 branches and a worldwide sales network of distributors.

We have our own in house technical department for designing and a lab for testing and prototyping. Products and Quality System are certified and inspected by international bodies like Kiwa and SGS. Today, Teseo systems are installed in small, medium and big factories all over the world, in textile, electronic, automotive and metalworking industry. Several prestigious companies like Twinings and Brembo have selected TESEO.

WHY CHOOSE TESEO

Too often the making of a traditional compressed air system is managed by separated units. Each part composing the system is handled by different people communicating with each other. The result is a system design missing a global vision, with in-efficient performances, higher cost of ownership caused by air leaks and high energy consumption to compensate them. For this reason Teseo developed and patented a piping system in aluminum with a super tight joining technology and the related services, including a global designing view for the definitive solution.

Choose Teseo system for your pipework: efficient, reliable, modular, eco sustainable.

PRODUCTS AND APPLICATIONS

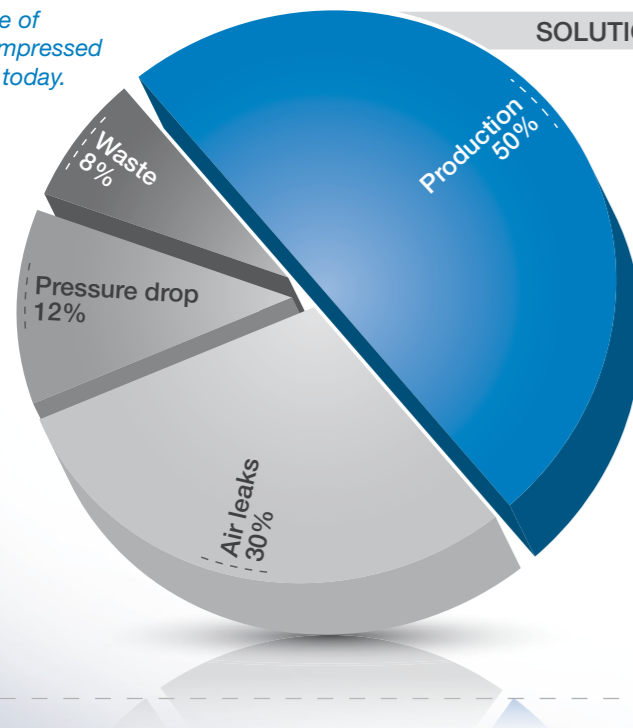


▶ Modular profiled pipes and fittings for compressed air, nitrogen, vacuum and other fluids from 3/4" up to 4" of diameter.



▶ Multi-outlet modular manifolds for machines, conveyors and special applications for technical non-flammable gases.

Use of compressed air today.

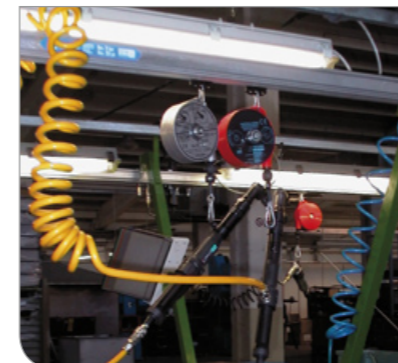


SOLUTION

Compressed air piping is a fixed utility.
A fundamental choice with long term effects.

TESEO SYSTEM COST REDUCTION IN 4 MOVES

- 1) Design the pipework to optimize costs and savings.
- 2) Eliminate air leaks thanks to the "Dual O-ring" sealing.
- 3) Save energy thanks to smooth pipes and high-efficiency joints.
- 4) Reduce costs for modifications of the system with modularity and hot tapping.



▶ Ergonomic solutions for assembling and production (trolleys, pivoting arms, work benches and their customization).

OUR SERVICES

Besides manufacturing a wide range of modular piping systems in aluminium and an ergonomic line of trolleys and work benches, Teseo offers a series of related services too.

Designing and optimization of air systems.

Performance and payback estimation.

Drawing up of project specs and bills of material.

3D design of manifolds, pressurized frames and special parts.

Support on site for installers and engineering.

In house seminars and training for designers, sales engineers and installers.



TESEO srl

Via degli Oleandri, 1 - 25015 Desenzano del Garda (BS) Italy
www.teseoair.com | teseo@teseoair.com | tel +39 030 9150411